



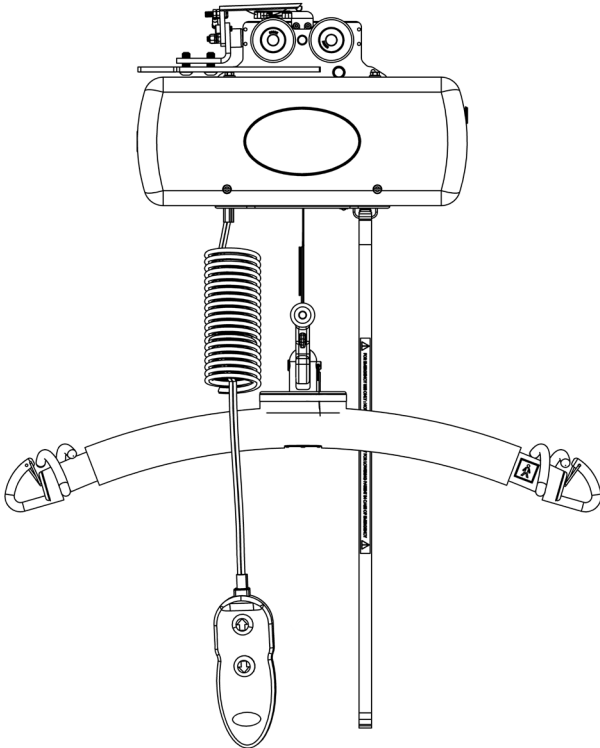
TX440 & TX600

CEILING TRACK HOIST




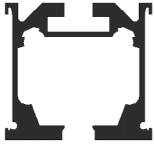
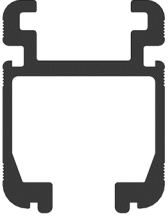
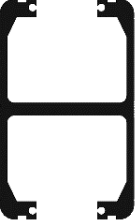

SPARE PARTS MANUAL

1. Contents



Description	Page(s)
Track Types	3
Spare Parts Summary	4-5
Part Code Detail	6-10
Notes	11-15
Contacts	16

2. Track Types

<p>Track Type 1</p> 	<p>Track Type 2</p> 
<p>Track Type 3</p> 	<p>Track Type 4</p> 
<p>Track Type 5</p> 	

3. Spare Parts Summary

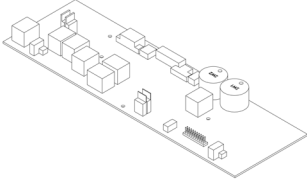
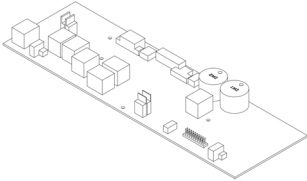
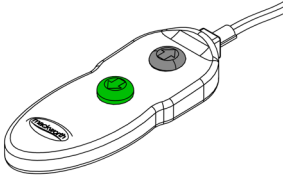
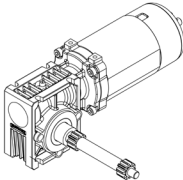
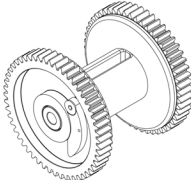
Part Code	Description
122078-200	TX 2 Way PCB - 440 lb/200 kg SWL
122078-272	TX 2 Way PCB - 600 lb/272 kg SWL
122073	TX 2 Way Handset
122009	TX Lift Motor
122012	TX Hub Assembly
122003	TX Limit Switch Assembly
122801	TX Battery Set (Pair)
122050	TX Strap Pin
122018	TX 2 Way Grommet/Air Tube Assembly
122020	TX Emergency Lower Switch Assembly
122011	TX Emergency Lower Cord
300501	TX 440 lb/200 kg Carry Bar Assembly
300500	TX 600 lb/272 kg Carry Bar Assembly
440042	TX 440 lb/200 kg Lift Tape Assembly
440041	TX 600 lb/272 kg Lift Tape Assembly
122814	TX 440 lb/200 kg Cover Assembly
122807	TX 600 lb/272 kg Cover Assembly
430061	TX QRS Hook Assembly
122806	TX Wheel & Axle Kit (Track Type 1)
122810	TX Wheel & Axle Kit (Track Type 2)
122811	TX Wheel & Axle Kit (Track Type 3)
122812	TX Wheel & Axle Kit (Track Type 4)
122813	TX Wheel & Axle Kit (Track Type 5)



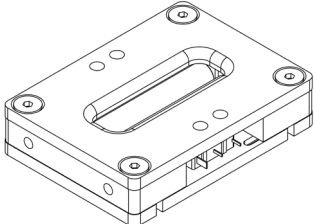
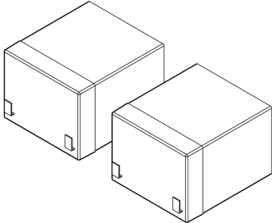
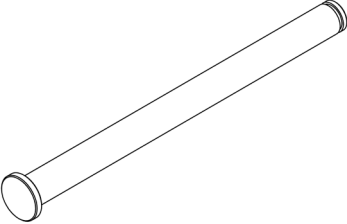
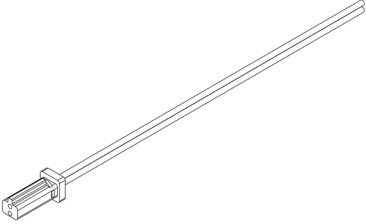
Spare Parts Summary

Part Code	Description
600021	TX Charging Beak (Track Type 1)
140016	TX Charging Beak (Track Type 2/3/4/5)
122100	TX Charger Assembly (Track Type 1)
122327	TX Charger Assembly (Track Type 2)
122326	TX Charger Assembly (Track Type 3/4/5)
999553	TX User Manual

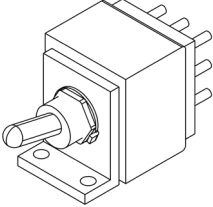

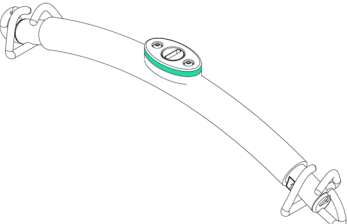
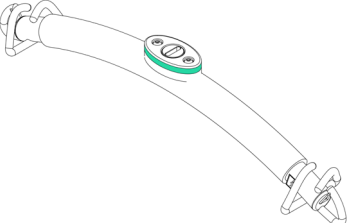
4. Part Code Detail

	<p>TX 2 Way PCB 440 lb/200 kg SWL 122078-200</p>
	<p>TX 2 Way PCB 600 lb/272 kg SWL 122078-272</p>
	<p>TX 2 Way Handset 122073</p>
	<p>TX Lift Motor 122009</p>
	<p>TX Hub Assembly 122012</p>

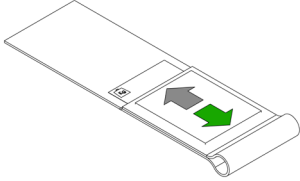
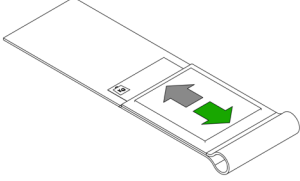
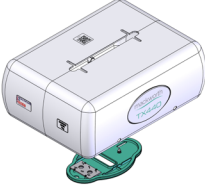
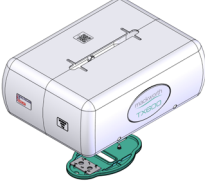
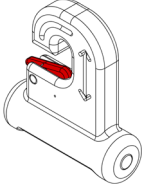
Part Code Detail

 A technical drawing of a rectangular TX Limit Switch Assembly. It features a central U-shaped slot, four circular mounting holes on the top surface, and a multi-pin connector on the right side.	<p>TX Limit Switch Assembly 122003</p>
 A technical drawing showing two rectangular TX Battery units. Each unit has a small tab on its side.	<p>TX Battery Set (Pair) 122801</p>
 A technical drawing of a long, thin cylindrical TX Strap Pin with a slightly larger diameter at one end.	<p>TX Strap Pin 122050</p>
 A technical drawing of a TX 2 Way Grommet/Air Tube Assembly, consisting of a long, thin tube with a small connector at one end.	<p>TX 2 Way Grommet/ Air Tube Assembly 122018</p>

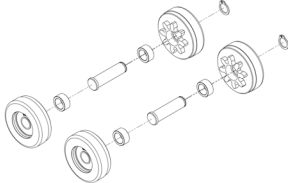
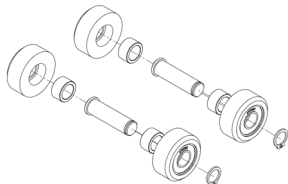
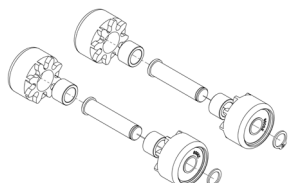
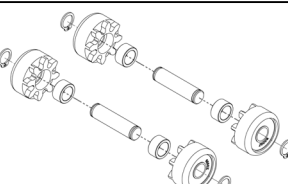
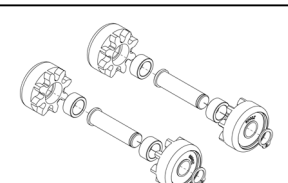
Part Code Detail

	<p>TX Emergency Lower Switch Assembly 122020</p>
	<p>TX Emergency Lower Cord 122011</p>
	<p>TX 440 lb/200 kg Carry Bar Assembly 300501</p>
	<p>TX 600 lb/272 kg Carry Bar Assembly 300500</p>

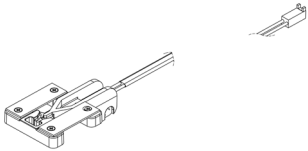
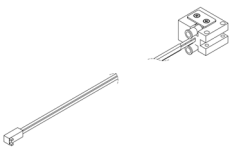
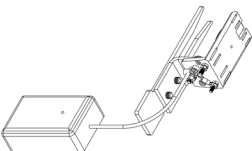
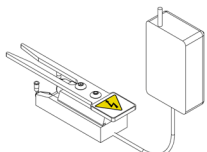
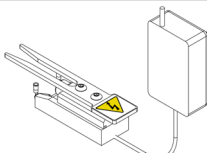

Part Code Detail

	<p>TX 440 lb/200 kg Lift Tape Assembly 440042</p>
	<p>TX 600 lb/272 kg Lift Tape Assembly 440041</p>
	<p>TX 440 lb/200 kg Cover Assembly 122814</p>
	<p>TX 600 lb/272 kg Cover Assembly 122807</p>
	<p>TX QRS Hook Assembly 430061</p>

Part Code Detail

	<p>TX Wheel & Axle Kit (Track Type 1) 122806</p>
	<p>TX Wheel & Axle Kit (Track Type 2) 122810</p>
	<p>TX Wheel & Axle Kit (Track Type 3) 122811</p>
	<p>TX Wheel & Axle Kit (Track Type 4) 122812</p>
	<p>TX Wheel & Axle Kit (Track Type 5) 122813</p>

Part Code Detail

	<p>TX Charging Beak (Track Type 1) 600021</p>
	<p>TX Charging Beak (Track Type 2/3/4/5) 140016</p>
	<p>TX Charger Assembly (Track Type 1) 122100</p>
	<p>TX Charger Assembly (Track Type 2) 122327</p>
	<p>TX Charger Assembly (Track Type 3/4/5) 122326</p>
	<p>Mackworth TX User Manual 999553</p>



5. Notes



Notes



Notes



Notes

6. Contacts

DEALER CONTACT DETAILS

MANUFACTURER CONTACT DETAILS

Unit 1, Tir Llwyd Industrial Estate, St Asaph Avenue, Kinmel Bay,
Conwy, United Kingdom, LL18 5JZ

Telephone: +44 (0)1924 840100

DISCLAIMER

While every effort has been made to ensure the accuracy of information contained in this manual, no liability can be accepted by Mackworth for any errors or omissions. Mackworth operates a policy of continuous improvement. Specifications and other data are subject to change without notice.

mackworthusa.com

UK
CA



CE

