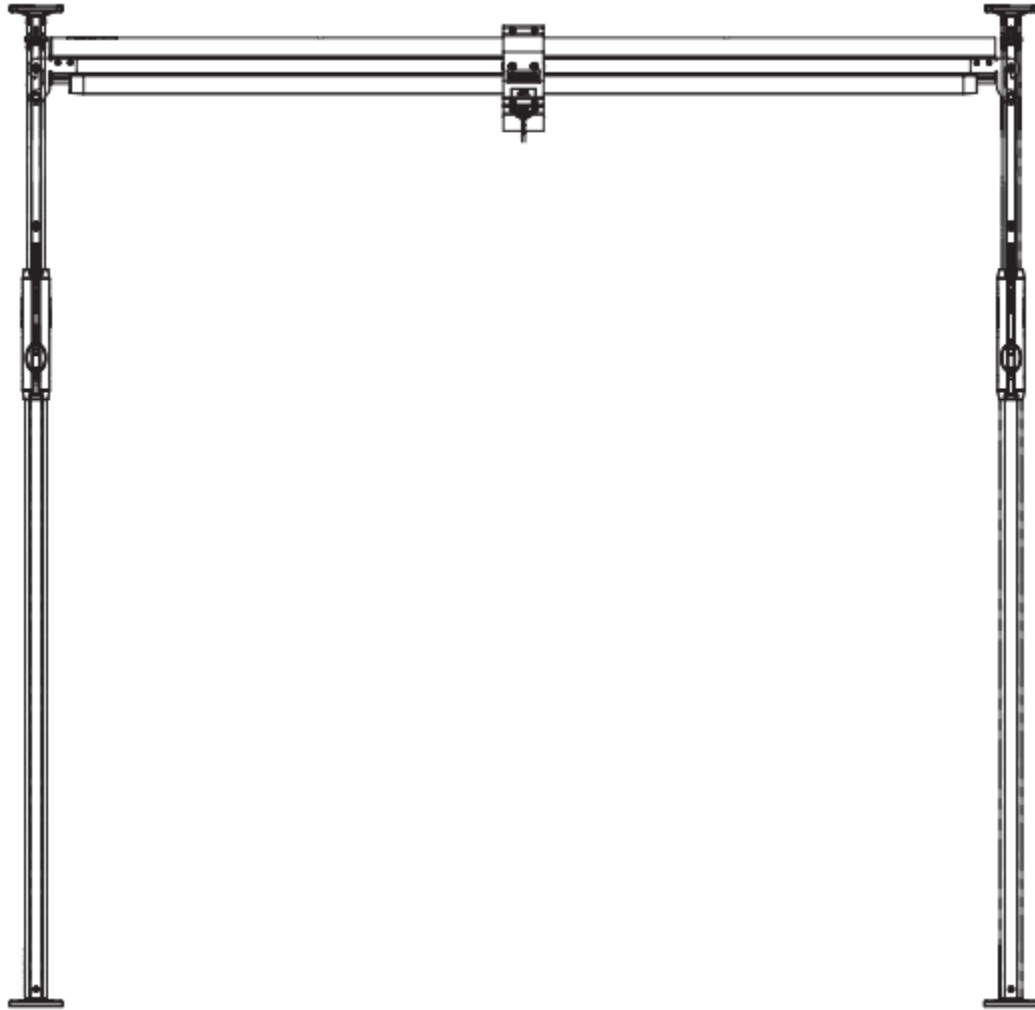


mackworth

Easy Fit 440 Gantry



Contents

1.0	Intended Use.....	3
1.1	Warning Notes	3
1.2	Operating Environment.....	3
2.0	Technical Specification.....	4
2.1	PFS Gantry Dimensions	4
2.2	Specifications.....	4
3.0	Environmental - Storage and Operating Conditions.....	5
3.1	Normal operating conditions	5
3.2	Shipping and storage conditions	5
4.0	Maintenance	5
5.0	Cleaning.....	6
5.1	General cleaning.....	6
5.2	Disinfecting (if necessary)	6

Mackworth Easy Gantry Pre-Sales Information

For further information on the product and details summarised within this document please refer to the Mackworth EFS Gantry User Manual.

If you require larger print or videos – these are available on the Mackworth Website <http://mackworthusa.com>

1.0 Intended Use

For internal use only.



The EFS440 gantry system together with a portable hoist, shall be used for transferring an elderly or disabled person; e.g. in the private homes sector as a portable/temporary track system.

The gantry system is a portable rail system which can be set up practically anywhere but requires a ceiling to be pressurised up against. The gantry system should only be used on solid ceilings. Do not use with a false ceiling or any other fragile construction. The rail system is length and height adjustable, to suit all needs regarding installation and accessibility.

1.1 Warning Notes



Your gantry has been manufactured and tested to exceed BS EN 10535:2006. This does not mean that it can be used without care. ALL OPERATORS should have read the operating instructions and appreciate this warning section.



1. EFS440 are less stable on sloping surfaces. Mackworth recommend that the install of the EFS440 is on a flat and level surface, as well as a flat and level ceiling.
2. ALL EFS440 are dangerous to the person being transferred when used without training.

If, during the use of this device or as a result of its use a serious incident has occurred, please report it to the manufacturer and to your national authority

1.2 Operating Environment

The EFS440 gantry is suitable for use within the professional health care facility environment as well as the following listed:

- Home environment
- Hospital and/or treatment centre
- Residential care home
- Education institute

The EFS440 is not suitable for any special environments.

This product is not intended to be used in environments where there are rapid changes in the environmental temperature and humidity during intended use.

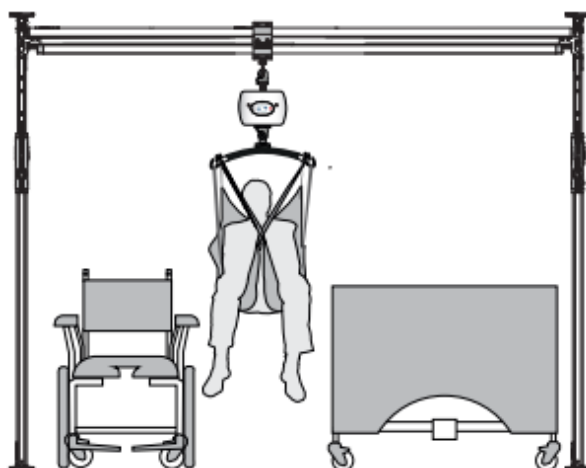


Figure 1

2.0 Technical Specification

2.1 PFS Gantry Dimensions

All dimensions below are shown in millimetres.

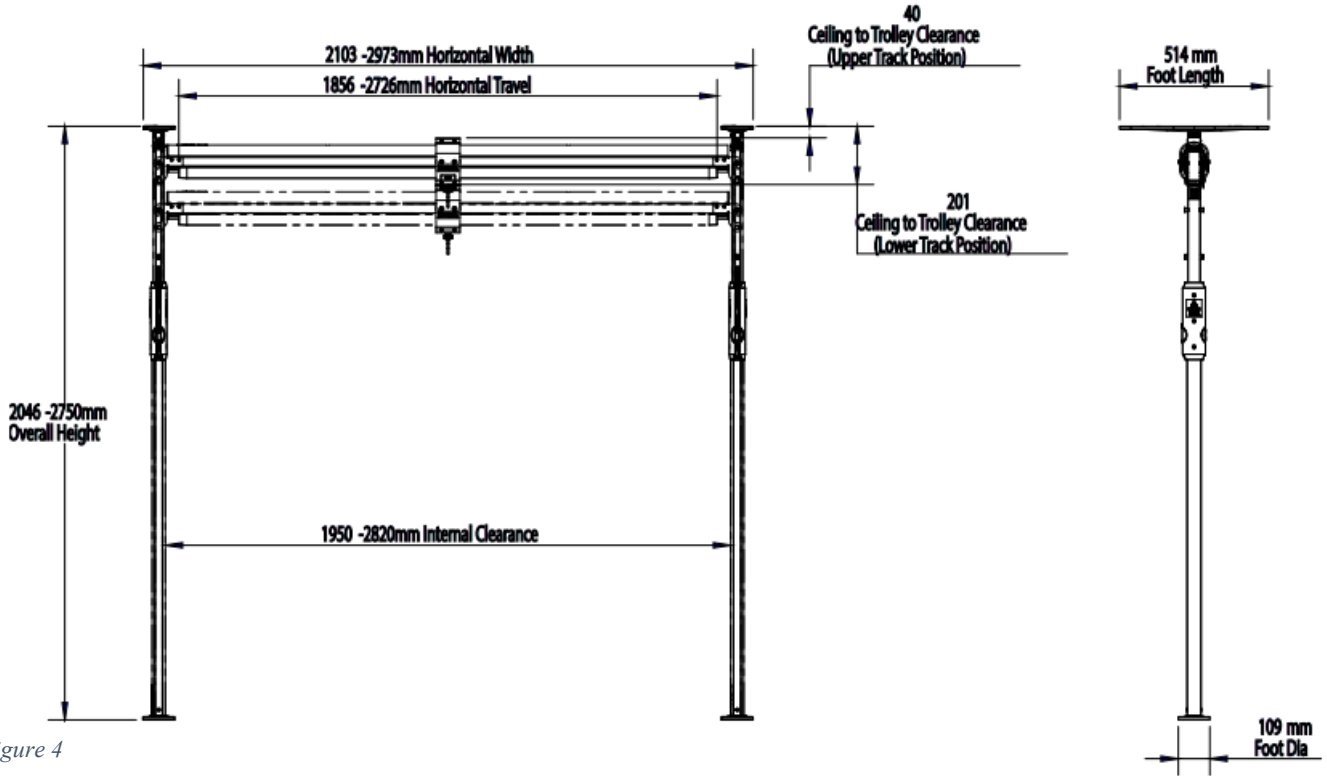


Figure 4

2.2 Specifications

Dimensions	
Maximum Height	2750mm / 108"
Lowest Height	2046mm / 81"
Maximum Length	514mm / 20"
Minimum Length	514mm / 20"
Maximum Width	2973mm / 117"
Minimum Width	2103mm / 83"
Internal maximum clearance	2820mm / 111"
Internal minimum clearance	1950mm / 77"

Table 3

Weights	
Track	6.8 kg / 15lb
Support post, ceiling plate & foot	9.4 kg / 20lb
Ful product	23 kg / 51lb

Table 4

Operational Forces	
Moving Trolley – with hoist (0Kg) (0lb)	6N
Moving Trolley (200kg) (440lb)	97N

Table 5

3.0 Environmental - Storage and Operating Conditions

The gantry is intended for internal use within normal environmental conditions.



It is not intended to be used in environments where there are rapid changes in the environmental temperature and humidity during use.

3.1 Normal operating conditions

+5°C to +40°C (41°F to 104°F) at a relative humidity between 15% to 90% RH, non-condensing but not requiring a water vapour pressure greater than 50hPa and atmospheric pressure between 700hPa to 1060hPa.

3.2 Shipping and storage conditions

-25°C to +5°C (-13°F to 41°F) with any humidity level.

+5°C to +35°C (41°F to 95°F) at a relative humidity up to 90%.

+35°C to 70°C (95°F to 158°F) non-condensing at a water vapour pressure up to 50hPa.

4.0 Maintenance



No service is to be carried out on a Mackworth EFS440, while transferring a person to reduce the risk of injury. Service must be completed by a Mackworth authorised Service Engineer. Do not attempt to service the product yourself, or warranty is void.

To ensure the safety and continued good function of your gantry, routine service must be performed on your EFS440. Service should be completed by a Mackworth approved service engineer every 6 months to ensure the products required standard is maintained. The service history of the product should be documented each service in the Service Log at the back of this User Manual.



When the Gantry is serviced, the 6-month service checklist must be completed for the EFS440.

Service Manual Document Number: 995092

Spare Parts Manual Document Number 992092

The Service must be completed every 6 months after installation of the Hoist to comply with LOLER Regulations.

The Mackworth EFS440 Gantry has an expected Service Life of 10 Years.

Contact your local authorised Mackworth dealer if you:

- Need more information.
- Have any questions about the use or service of your Gantry.
- Notice any change in the performance.
- Want to report an unexpected occurrence.
- Want to arrange a service.
- Need to ascertain necessary information for replacement parts and components.

Contact details of your local Mackworth dealer are shown on the last page of this manual.

5.0 Cleaning

Please follow the cleaning guidelines below on cleaning and disinfecting the Gantry.

5.1 General cleaning



It is recommended to clean the EFS440 and accessories before the use by a different patient, reducing the risk of cross-contamination.

The exterior of the EFS440 can be cleaned using a damp soapy cloth for general cleaning duties. Please ensure the cloth is damp and not wet. Ensure the exterior of the device is dry after cleaning. Dry using a clean dry cloth.

5.2 Disinfecting (if necessary)

Should the Gantry require a more thorough clean, the use of the Actichlor™ disinfectant product (which is widely available in tablet form and used throughout the health care industry) is recommended.



Follow the manufacturer's safety instructions for the use of the cleaning product before use to ensure safe use for the operator and the patient.

Ensure the cloth is damp before the cleaning process.

Application is through a clean damp cloth applied to wipe the device down. Use in the following dilutions to ensure an effective clean:

- Actichlor™ dissolvable chlorine tablets provide a concentration of 1000 ppm of available chlorine (0.1%) per 1 tablet
- 1 tablet (1.7g formed tablet (x1)) will create a virucidal solution, diluted in 1 litre of water to provide effective means to clean a "dirty" device. This is also ideal for use after an outbreak of the Norovirus/winter vomiting and can be used as a precaution against C.Diff. It is effective against viruses, bacteria, spores, yeasts and moulds.
- The contact time against the outer components of the device should be for 5 minutes to prevent any virucidal infections without a degradation to the functionality of the device. 5 minutes is a recommended contact time. The device can withstand a longer contact period but the 5 minute recommendation as a minimum must be followed to provide an effective cleaning regime.
- Blood spills should be dealt with by an increased concentration of the solution – please refer to the instructions on the manufacturers product labelling.

Dealer/service contact details:

Manufactures Contact details:

Address: Unit 1 • Tir Llwyd Industrial Estate • St Asaph Avenue • Kinmel Bay • Conwy • LL18 5JZ

Telephone Number: 01924 840 100

Disclaimer

While every effort has been made to ensure the accuracy of information contained in this user manual, no liability can be accepted by Mackworth for any errors or omissions.

Mackworth operates a policy of continuous improvement. Specifications and other data are subject to change without notice.



mackworth

Unit 1 • Tir Llwyd Industrial Estate • St Asaph Avenue •
Kinmel Bay • Conwy • LL18 5JZ

